

**Cheetah Chassis Corporation**  
**20/40 HD Extendable Chassis**  
**With Fixed Rear Bolster**  
**Standard Specification**

Specification No. Standard

Revised: 6-14-10

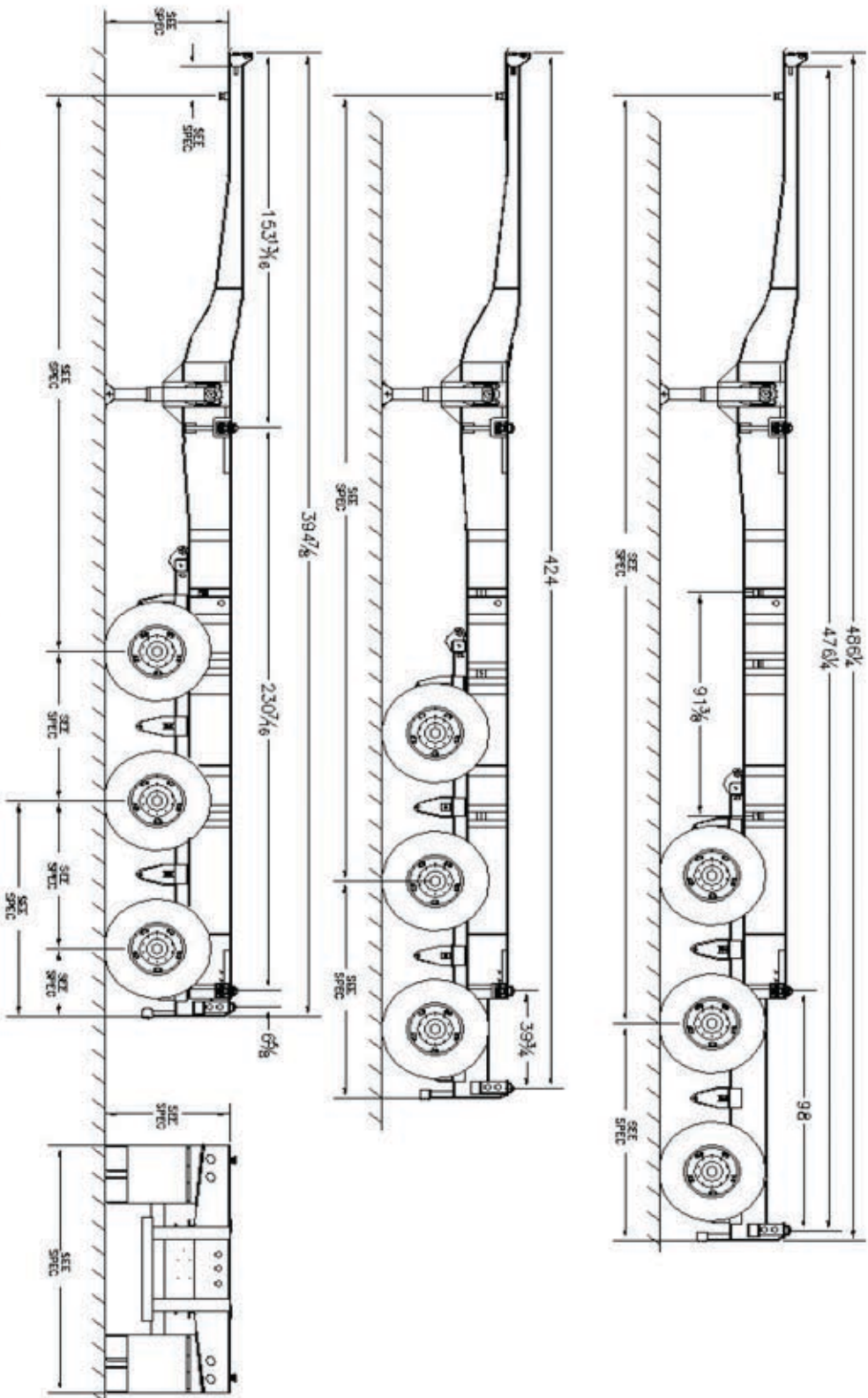
B010451

REV.

REMARKS

DATE

DRN



THIS DRAWING MAY OR MAY NOT CONTAIN APPROPRIATE  
 OPTIONS, LOCATIONS OR ITEMS. PLEASE SEE WRITTEN  
 SPECIFICATION

THIS DRAWING IS LOANED FOR PURPOSE OF ENGINEERING STUDY ONLY WITH THE UNDERSTANDING THAT IT SHALL BE HELD IN CONFIDENCE AND FOR THE PURPOSES OF CHEETAH CHASSIS CORP. IT IS NOT TO BE REPRODUCED, COPIED, USED, DISCLOSED OR DISPOSED OF DIRECTLY OR INDIRECTLY AND IS NOT TO BE USED IN WHOLE OR IN PART TO ASSIST IN MAKING OR TO FURNISH ANY INFORMATION FOR MAKING OF DRAWINGS, PRINTS, APPARATUS OR EQUIPMENT MATERIALS OR PARTS THEREOF EXCEPT IN ACCORDANCE WITH THE EXPRESS WRITTEN CONSENT OF CHEETAH CHASSIS CORPORATION.

TITL/DRAWING		CHEETAH CHASSIS CORP. <del>CONFIDENTIAL</del>	
SALES ENGINEERING		TITL/DRAWING	
FURNISH PARTS LIST		GENERAL ARRANGEMENT	
APPROVE BY		20-40 HD	
DATE		REVERSE B-TRAIN TRAILING UNIT	
NEW		041207	
DRAWN BY		PART NUMBER	
1 OF 1		B010451	
		B	

Customer Approval Initials: \_\_\_\_\_