

**Cheetah Chassis Corporation
43 ft. Gooseneck Chassis
Standard Specifications**

Specification No. Standard

Revised: 8-29-06

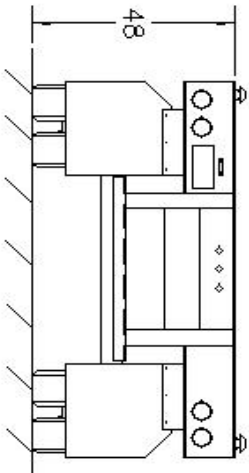
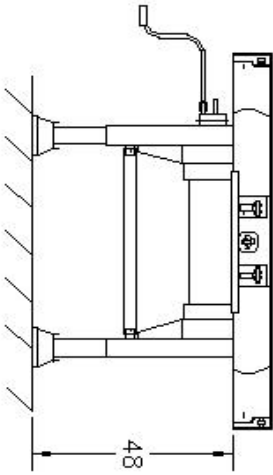
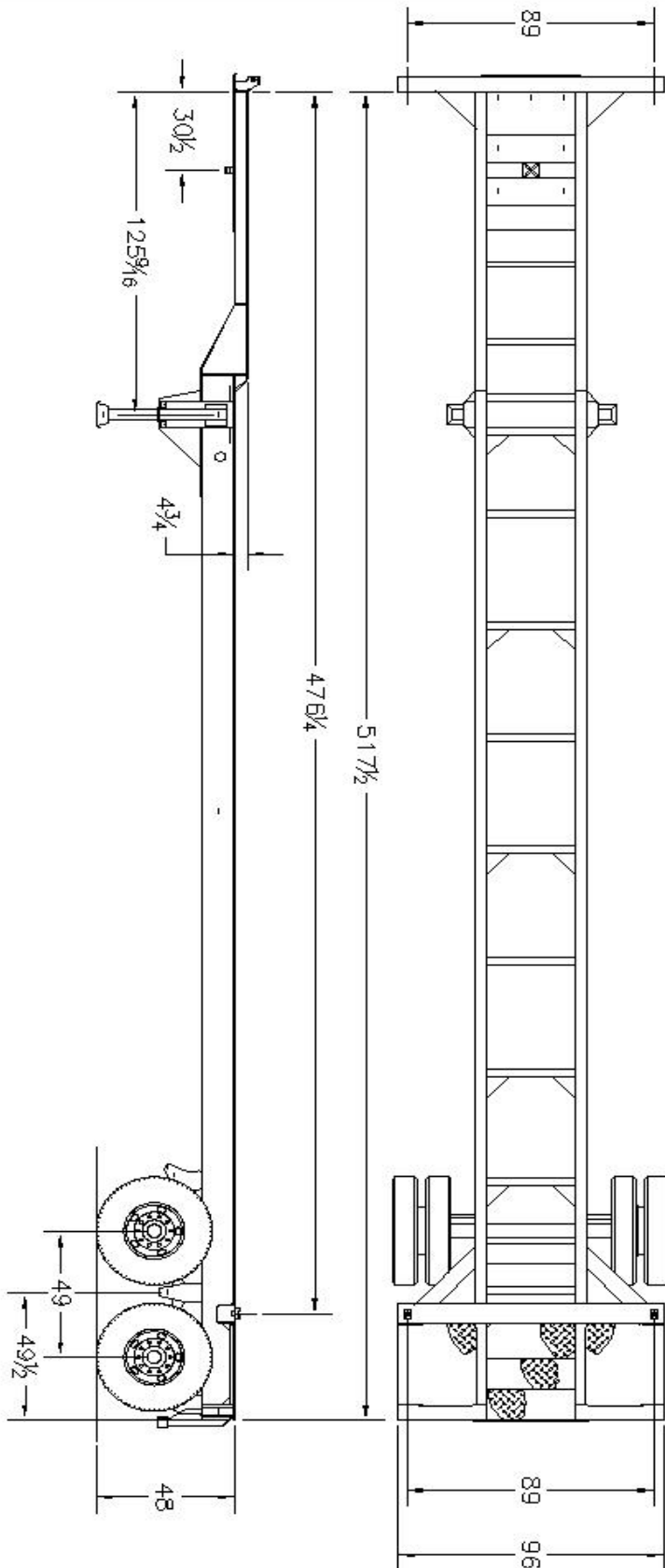
B010352

REV.

REMARKS

DATE

DRN



THIS DRAWING IS LOANED FOR PURPOSE OF ENGINEERING STUDY ONLY WITH THE UNDERSTANDING THAT IT SHALL BE HELD IN CONFIDENCE AND FOR THE PURPOSES OF CHEETAH CHASSIS CORP. IT IS NOT TO BE REPRODUCED, COPIED, USED DISCLOSED OR DISPOSED OF DIRECTLY OR INDIRECTLY AND IS NOT TO BE USED IN WHOLE OR IN PART TO ASSIST IN MAKING OR TO FURNISH ANY INFORMATION FOR MAKING PRINTS APPARATUS EQUIPMENT MATERIALS OR PARTS THEREOF EXCEPT IN ACCORDANCE WITH THE EXPRESS WRITTEN CONSENT OF CHEETAH CHASSIS CORPORATION.

TOLERANCES UNLESS OTHERWISE SPECIFIED FINISHES: 1/2" = 1/16" 3/4" = 1/8" 1" = 1/16" 1 1/2" = 1/8" 2" = 1/16" 3" = 1/16" 4" = 1/16" 5" = 1/16" 6" = 1/16" 8" = 1/16" 10" = 1/16" 12" = 1/16" 14" = 1/16" 16" = 1/16" 18" = 1/16" 20" = 1/16" 24" = 1/16" 30" = 1/16" 36" = 1/16" 42" = 1/16" 48" = 1/16" 54" = 1/16" 60" = 1/16" 72" = 1/16" 84" = 1/16" 96" = 1/16" 108" = 1/16" 120" = 1/16" 144" = 1/16" 168" = 1/16" 192" = 1/16" 216" = 1/16" 240" = 1/16" 288" = 1/16" 336" = 1/16" 384" = 1/16" 432" = 1/16" 480" = 1/16" 576" = 1/16" 672" = 1/16" 768" = 1/16" 864" = 1/16" 960" = 1/16" 1080" = 1/16" 1200" = 1/16" 1440" = 1/16" 1680" = 1/16" 1920" = 1/16" 2160" = 1/16" 2400" = 1/16" 2880" = 1/16" 3360" = 1/16" 3840" = 1/16" 4320" = 1/16" 4800" = 1/16" 5760" = 1/16" 6720" = 1/16" 7680" = 1/16" 8640" = 1/16" 9600" = 1/16" 10800" = 1/16" 12000" = 1/16" 14400" = 1/16" 16800" = 1/16" 19200" = 1/16" 21600" = 1/16" 24000" = 1/16" 28800" = 1/16" 33600" = 1/16" 38400" = 1/16" 43200" = 1/16" 48000" = 1/16" 57600" = 1/16" 67200" = 1/16" 76800" = 1/16" 86400" = 1/16" 96000" = 1/16" 108000" = 1/16" 120000" = 1/16" 144000" = 1/16" 168000" = 1/16" 192000" = 1/16" 216000" = 1/16" 240000" = 1/16" 288000" = 1/16" 336000" = 1/16" 384000" = 1/16" 432000" = 1/16" 480000" = 1/16" 576000" = 1/16" 672000" = 1/16" 768000" = 1/16" 864000" = 1/16" 960000" = 1/16" 1080000" = 1/16" 1200000" = 1/16" 1440000" = 1/16" 1680000" = 1/16" 1920000" = 1/16" 2160000" = 1/16" 2400000" = 1/16" 2880000" = 1/16" 3360000" = 1/16" 3840000" = 1/16" 4320000" = 1/16" 4800000" = 1/16" 5760000" = 1/16" 6720000" = 1/16" 7680000" = 1/16" 8640000" = 1/16" 9600000" = 1/16" 10800000" = 1/16" 12000000" = 1/16" 14400000" = 1/16" 16800000" = 1/16" 19200000" = 1/16" 21600000" = 1/16" 24000000" = 1/16" 28800000" = 1/16" 33600000" = 1/16" 38400000" = 1/16" 43200000" = 1/16" 48000000" = 1/16" 57600000" = 1/16" 67200000" = 1/16" 76800000" = 1/16" 86400000" = 1/16" 96000000" = 1/16" 108000000" = 1/16" 120000000" = 1/16" 144000000" = 1/16" 168000000" = 1/16" 192000000" = 1/16" 216000000" = 1/16" 240000000" = 1/16" 288000000" = 1/16" 336000000" = 1/16" 384000000" = 1/16" 432000000" = 1/16" 480000000" = 1/16" 576000000" = 1/16" 672000000" = 1/16" 768000000" = 1/16" 864000000" = 1/16" 960000000" = 1/16" 1080000000" = 1/16" 1200000000" = 1/16" 1440000000" = 1/16" 1680000000" = 1/16" 1920000000" = 1/16" 2160000000" = 1/16" 2400000000" = 1/16" 2880000000" = 1/16" 3360000000" = 1/16" 3840000000" = 1/16" 4320000000" = 1/16" 4800000000" = 1/16" 5760000000" = 1/16" 6720000000" = 1/16" 7680000000" = 1/16" 8640000000" = 1/16" 9600000000" = 1/16" 10800000000" = 1/16" 12000000000" = 1/16" 14400000000" = 1/16" 16800000000" = 1/16" 19200000000" = 1/16" 21600000000" = 1/16" 24000000000" = 1/16" 28800000000" = 1/16" 33600000000" = 1/16" 38400000000" = 1/16" 43200000000" = 1/16" 48000000000" = 1/16" 57600000000" = 1/16" 67200000000" = 1/16" 76800000000" = 1/16" 86400000000" = 1/16" 96000000000" = 1/16" 108000000000" = 1/16" 120000000000" = 1/16" 144000000000" = 1/16" 168000000000" = 1/16" 192000000000" = 1/16" 216000000000" = 1/16" 240000000000" = 1/16" 288000000000" = 1/16" 336000000000" = 1/16" 384000000000" = 1/16" 432000000000" = 1/16" 480000000000" = 1/16" 576000000000" = 1/16" 672000000000" = 1/16" 768000000000" = 1/16" 864000000000" = 1/16" 960000000000" = 1/16" 1080000000000" = 1/16" 1200000000000" = 1/16" 1440000000000" = 1/16" 1680000000000" = 1/16" 1920000000000" = 1/16" 2160000000000" = 1/16" 2400000000000" = 1/16" 2880000000000" = 1/16" 3360000000000" = 1/16" 3840000000000" = 1/16" 4320000000000" = 1/16" 4800000000000" = 1/16" 5760000000000" = 1/16" 6720000000000" = 1/16" 7680000000000" = 1/16" 8640000000000" = 1/16" 9600000000000" = 1/16" 10800000000000" = 1/16" 12000000000000" = 1/16" 14400000000000" = 1/16" 16800000000000" = 1/16" 19200000000000" = 1/16" 21600000000000" = 1/16" 24000000000000" = 1/16" 28800000000000" = 1/16" 33600000000000" = 1/16" 38400000000000" = 1/16" 43200000000000" = 1/16" 48000000000000" = 1/16" 57600000000000" = 1/16" 67200000000000" = 1/16" 76800000000000" = 1/16" 86400000000000" = 1/16" 96000000000000" = 1/16" 108000000000000" = 1/16" 120000000000000" = 1/16" 144000000000000" = 1/16" 168000000000000" = 1/16" 192000000000000" = 1/16" 216000000000000" = 1/16" 240000000000000" = 1/16" 288000000000000" = 1/16" 336000000000000" = 1/16" 384000000000000" = 1/16" 432000000000000" = 1/16" 480000000000000" = 1/16" 576000000000000" = 1/16" 672000000000000" = 1/16" 768000000000000" = 1/16" 864000000000000" = 1/16" 960000000000000" = 1/16" 1080000000000000" = 1/16" 1200000000000000" = 1/16" 1440000000000000" = 1/16" 1680000000000000" = 1/16" 1920000000000000" = 1/16" 2160000000000000" = 1/16" 2400000000000000" = 1/16" 2880000000000000" = 1/16" 3360000000000000" = 1/16" 3840000000000000" = 1/16" 4320000000000000" = 1/16" 4800000000000000" = 1/16" 5760000000000000" = 1/16" 6720000000000000" = 1/16" 7680000000000000" = 1/16" 8640000000000000" = 1/16" 9600000000000000" = 1/16" 10800000000000000" = 1/16" 12000000000000000" = 1/16" 14400000000000000" = 1/16" 16800000000000000" = 1/16" 19200000000000000" = 1/16" 21600000000000000" = 1/16" 24000000000000000" = 1/16" 28800000000000000" = 1/16" 33600000000000000" = 1/16" 38400000000000000" = 1/16" 43200000000000000" = 1/16" 48000000000000000" = 1/16" 57600000000000000" = 1/16" 67200000000000000" = 1/16" 76800000000000000" = 1/16" 86400000000000000" = 1/16" 96000000000000000" = 1/16" 108000000000000000" = 1/16" 120000000000000000" = 1/16" 144000000000000000" = 1/16" 168000000000000000" = 1/16" 192000000000000000" = 1/16" 216000000000000000" = 1/16" 240000000000000000" = 1/16" 288000000000000000" = 1/16" 336000000000000000" = 1/16" 384000000000000000" = 1/16" 432000000000000000" = 1/16" 480000000000000000" = 1/16" 576000000000000000" = 1/16" 672000000000000000" = 1/16" 768000000000000000" = 1/16" 864000000000000000" = 1/16" 960000000000000000" = 1/16" 1080000000000000000" = 1/16" 1200000000000000000" = 1/16" 1440000000000000000" = 1/16" 1680000000000000000" = 1/16" 1920000000000000000" = 1/16" 2160000000000000000" = 1/16" 2400000000000000000" = 1/16" 2880000000000000000" = 1/16" 3360000000000000000" = 1/16" 3840000000000000000" = 1/16" 4320000000000000000" = 1/16" 4800000000000000000" = 1/16" 5760000000000000000" = 1/16" 6720000000000000000" = 1/16" 7680000000000000000" = 1/16" 8640000000000000000" = 1/16" 9600000000000000000" = 1/16" 10800000000000000000" = 1/16" 12000000000000000000" = 1/16" 14400000000000000000" = 1/16" 16800000000000000000" = 1/16" 19200000000000000000" = 1/16" 21600000000000000000" = 1/16" 24000000000000000000" = 1/16" 28800000000000000000" = 1/16" 33600000000000000000" = 1/16" 38400000000000000000" = 1/16" 43200000000000000000" = 1/16" 48000000000000000000" = 1/16" 57600000000000000000" = 1/16" 67200000000000000000" = 1/16" 76800000000000000000" = 1/16" 86400000000000000000" = 1/16" 96000000000000000000" = 1/16" 108000000000000000000" = 1/16" 120000000000000000000" = 1/16" 144000000000000000000" = 1/16" 168000000000000000000" = 1/16" 192000000000000000000" = 1/16" 216000000000000000000" = 1/16" 240000000000000000000" = 1/16" 288000000000000000000" = 1/16" 336000000000000000000" = 1/16" 384000000000000000000" = 1/16" 432000000000000000000" = 1/16" 480000000000000000000" = 1/16" 576000000000000000000" = 1/16" 672000000000000000000" = 1/16" 768000000000000000000" = 1/16" 864000000000000000000" = 1/16" 960000000000000000000" = 1/16" 1080000000000000000000" = 1/16" 1200000000000000000000" = 1/16" 1440000000000000000000" = 1/16" 1680000000000000000000" = 1/16" 1920000000000000000000" = 1/16" 2160000000000000000000" = 1/16" 2400000000000000000000" = 1/16" 2880000000000000000000" = 1/16" 3360000000000000000000" = 1/16" 3840000000000000000000" = 1/16" 4320000000000000000000" = 1/16" 4800000000000000000000" = 1/16" 5760000000000000000000" = 1/16" 6720000000000000000000" = 1/16" 7680000000000000000000" = 1/16" 8640000000000000000000" = 1/16" 9600000000000000000000" = 1/16" 10800000000000000000000" = 1/16" 12000000000000000000000" = 1/16" 14400000000000000000000" = 1/16" 16800000000000000000000" = 1/16" 19200000000000000000000" = 1/16" 21600000000000000000000" = 1/16" 24000000000000000000000" = 1/16" 28800000000000000000000" = 1/16" 33600000000000000000000" = 1/16" 38400000000000000000000" = 1/16" 43200000000000000000000" = 1/16" 48000000000000000000000" = 1/16" 57600000000000000000000" = 1/16" 67200000000000000000000" = 1/16" 76800000000000000000000" = 1/16" 86400000000000000000000" = 1/16" 96000000000000000000000" = 1/16" 108000000000000000000000" = 1/16" 120000000000000000000000" = 1/16" 144000000000000000000000" = 1/16" 168000000000000000000000" = 1/16" 192000000000000000000000" = 1/16" 216000000000000000000000" = 1/16" 240000000000000000000000" = 1/16" 288000000000000000000000" = 1/16" 336000000000000000000000" = 1/16" 384000000000000000000000" = 1/16" 432000000000000000000000" = 1/16" 480000000000000000000000" = 1/16" 576000000000000000000000" = 1/16" 672000000000000000000000" = 1/16" 768000000000000000000000" = 1/16" 864000000000000000000000" = 1/16" 960000000000000000000000" = 1/16" 1080000000000000000000000" = 1/16" 1200000000000000000000000" = 1/16" 1440000000000000000000000" = 1/16" 1680000000000000000000000" = 1/16" 1920000000000000000000000" = 1/16" 2160000000000000000000000" = 1/16" 2400000000000000000000000" = 1/16" 2880000000000000000000000" = 1/16" 3360000000000000000000000" = 1/16" 3840000000000000000000000" = 1/16" 4320000000000000000000000" = 1/16" 4800000000000000000000000" = 1/16" 5760000000000000000000000" = 1/16" 6720000000000000000000000" = 1/16" 7680000000000000000000000" = 1/16" 8640000000000000000000000" = 1/16" 9600000000000000000000000" = 1/16" 10800000000000000000000000" = 1/16" 12000000000000000000000000" = 1/16" 14400000000000000000000000" = 1/16" 16800000000000000000000000" = 1/16" 19200000000000000000000000" = 1/16" 21600000000000000000000000" = 1/16" 24000000000000000000000000" = 1/16" 28800	
--	--