

**Cheetah Chassis Corporation**  
**33 ft. Extendable Bridgemaster III Chassis**  
**Standard Specifications**

Specification No. Standard

Revised: 11-1-06

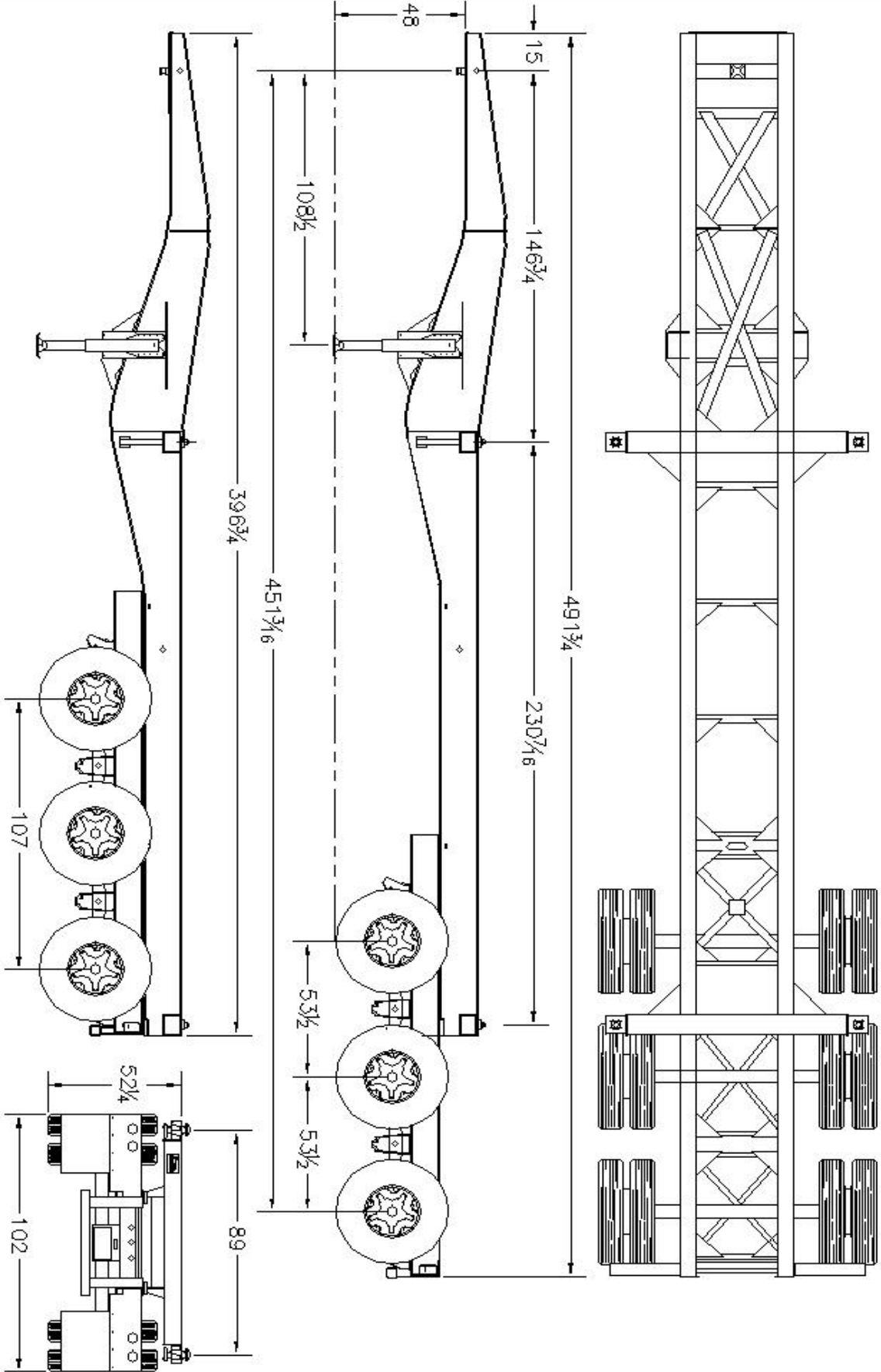
B010073

REV.

REMARKS

DATE

DRN



THIS DRAWING IS LOANED FOR PURPOSE OF ENGINEERING STUDY ONLY WITH THE UNDERSTANDING THAT IT SHALL BE HELD IN CONFIDENCE AND FOR THE PURPOSES OF CHEETAH CHASSIS CORP. IT IS NOT TO BE REPRODUCED, COPIED, USED DISCLOSED OR DISPOSED OF DIRECTLY OR INDIRECTLY AND IS NOT TO BE USED IN WHOLE OR IN PART TO ASSIST IN MAKING OR TO FURNISH ANY INFORMATION FOR MAKING OF DRAWINGS PRINTS APPARATUS AND EQUIPMENT MATERIALS OR PARTS THEREOF EXCEPT IN ACCORDANCE WITH THE EXPRESS WRITTEN CONSENT OF CHEETAH CHASSIS CORPORATION.

TELEPHONES		UNLESS OTHERWISE SPECIFIED	
DRAWN		CHEETAH CHASSIS CORP	
DATE		MILWAUKEE, WIS.	
3/27/00		GENERAL ARRANGEMENT	
1 OF 1		33 FT. BRIDGEMASTER	
PART NUMBER		B010073	
REV.		B	

Customer Approval Initials: \_\_\_\_\_