

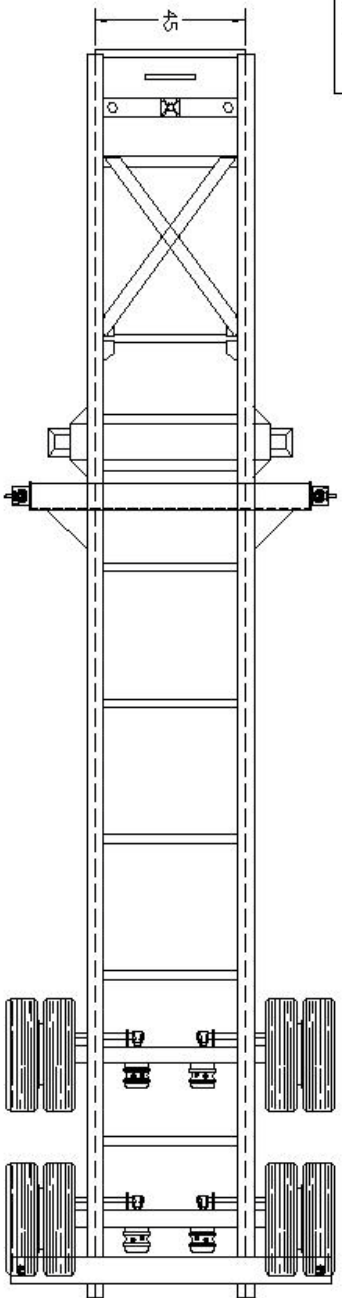
B010460

REV.

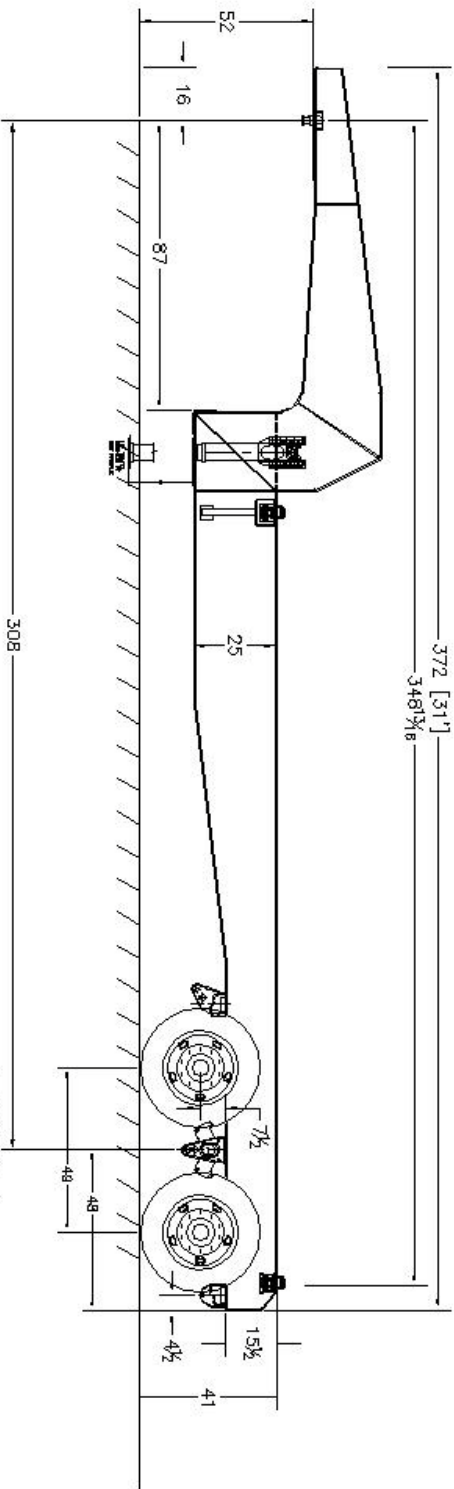
REMARKS

DATE

DRN



255/70R22.5 LP Tires



THIS DRAWING IS LOANED FOR PURPOSE OF ENGINEERING STUDY ONLY WITH THE UNDERSTANDING THAT IT SHALL BE HELD IN CONFIDENCE AND FOR THE PERSON TO WHOM LOANED. IT IS NOT TO BE REPRODUCED, COPIED, OR IN ANY MANNER BE USED FOR ANY OTHER PURPOSE WITHOUT THE WRITTEN CONSENT OF CHEETAH CHASSIS CORPORATION. EQUIPMENT MATERIALS OR PARTS THEREOF EXCEPT IN ACCORDANCE WITH THE EXPRESS WRITTEN CONSENT OF CHEETAH CHASSIS CORPORATION.

TOLERANCES UNLESS OTHERWISE SPECIFIED DECIMAL SIZE FRACTIONS ANGLES HOLE POSITION HOLE SIZE		CHEETAH CHASSIS CORP MILWAUKEE, WISCONSIN	
DRAWN DATE 9/19/07	NEW	31' DROP FRAME	
SHEET NO. 1 OF 1	PART NUMBER B010460	REV. —	