

Cheetah Chassis Corporation
28 ft 4 in -40 ft 6 in Extendable Pole Chassis
Standard Specifications

Specification No. Standard

Revised: 11-7-06

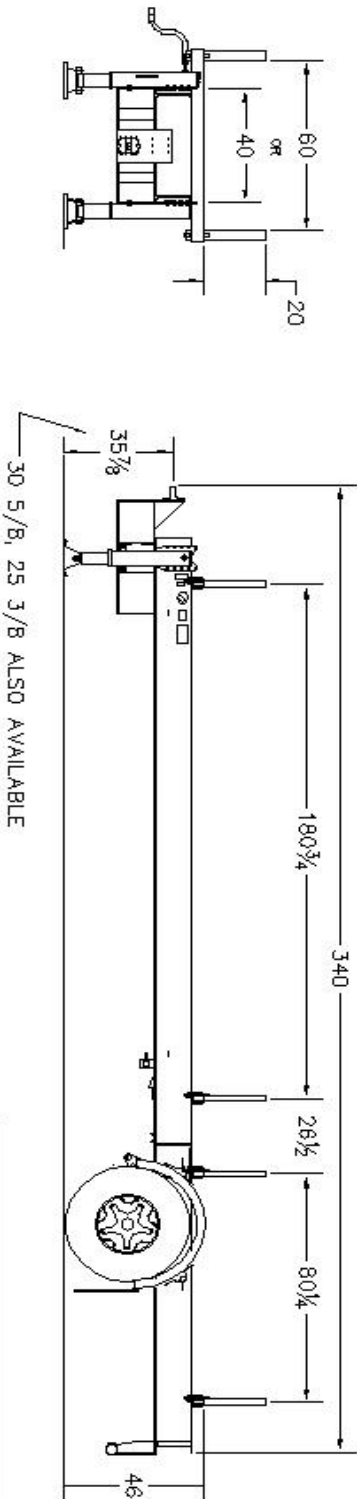
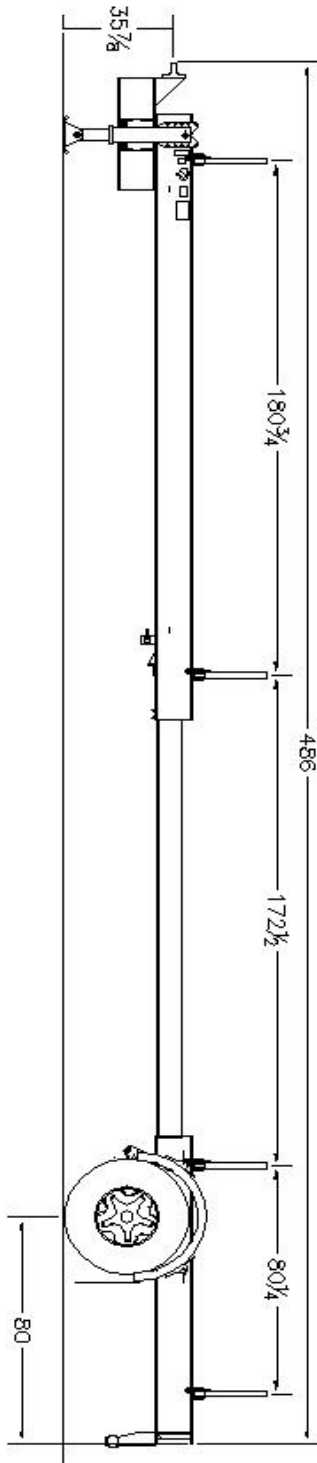
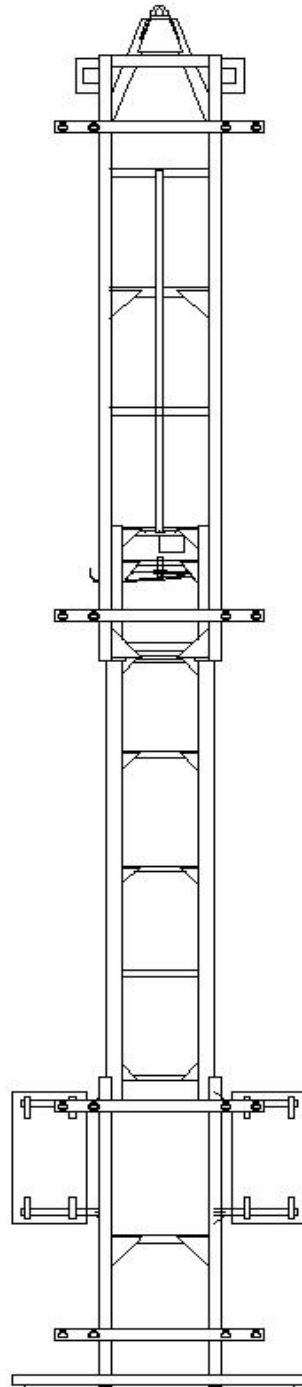
B010360

REV.

REMARKS

DATE

DRN



30 5/8, 25 3/8 ALSO AVAILABLE

THIS DRAWING IS LOANED FOR PURPOSE OF ENGINEERING STUDY ONLY WITH THE UNDERSTANDING THAT IT SHALL BE HELD IN CONFIDENCE AND FOR THE PURPOSES OF CHEETAH CHASSIS CORP. IT IS NOT TO BE REPRODUCED, COPIED, USED DISCLOSED OR DISPOSED OF DIRECTLY OR INDIRECTLY AND IS NOT TO BE USED IN WHOLE OR IN PART TO ASSIST IN MAKING OR TO FURNISH ANY INFORMATION FOR MAKING OF DRAWINGS PRINTS APPARATUS OR EQUIPMENT MATERIALS OR PARTS THEREOF EXCEPT IN ACCORDANCE WITH THE EXPRESS WRITTEN CONSENT OF CHEETAH CHASSIS CORPORATION.

TOLERANCES		CHEETAH CHASSIS CORP. PART NUMBER	
UNLESS OTHERWISE SPECIFIED	DECIMALS	B010360	
FRAMES	±.005	GENERAL ARRANGEMENT	
WELDS	±.010	POLE TRAILER	
OTHER	±.015	PART NUMBER	
ASSEMBLY	±.020	B010360	
DRILLING	±.005	REV.	
FINISH	±.005	—	
DATE	11-9-06	SHEET NO.	
BY	BS70045	1 OF 1	

Customer Approval Initials: _____